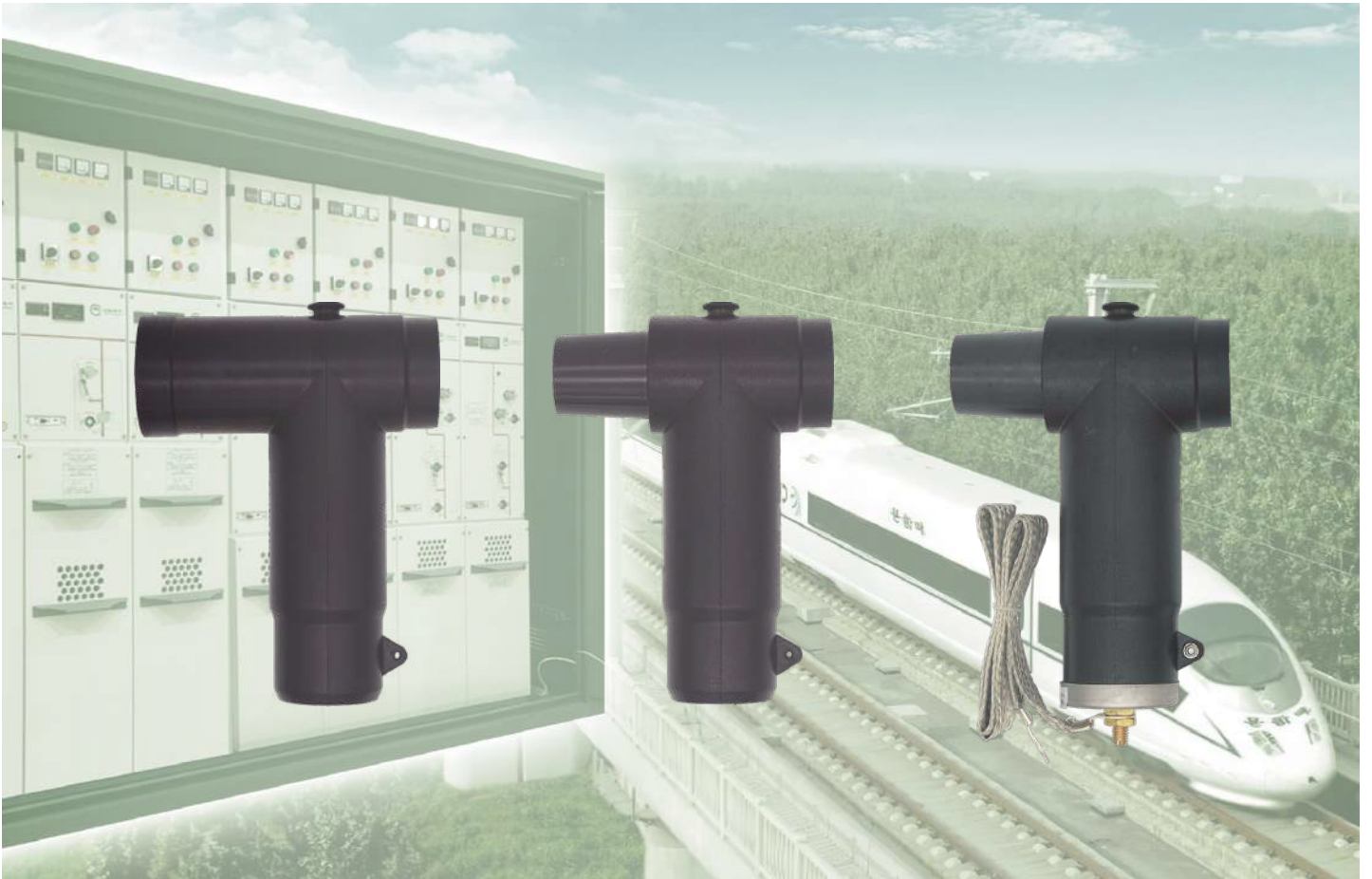
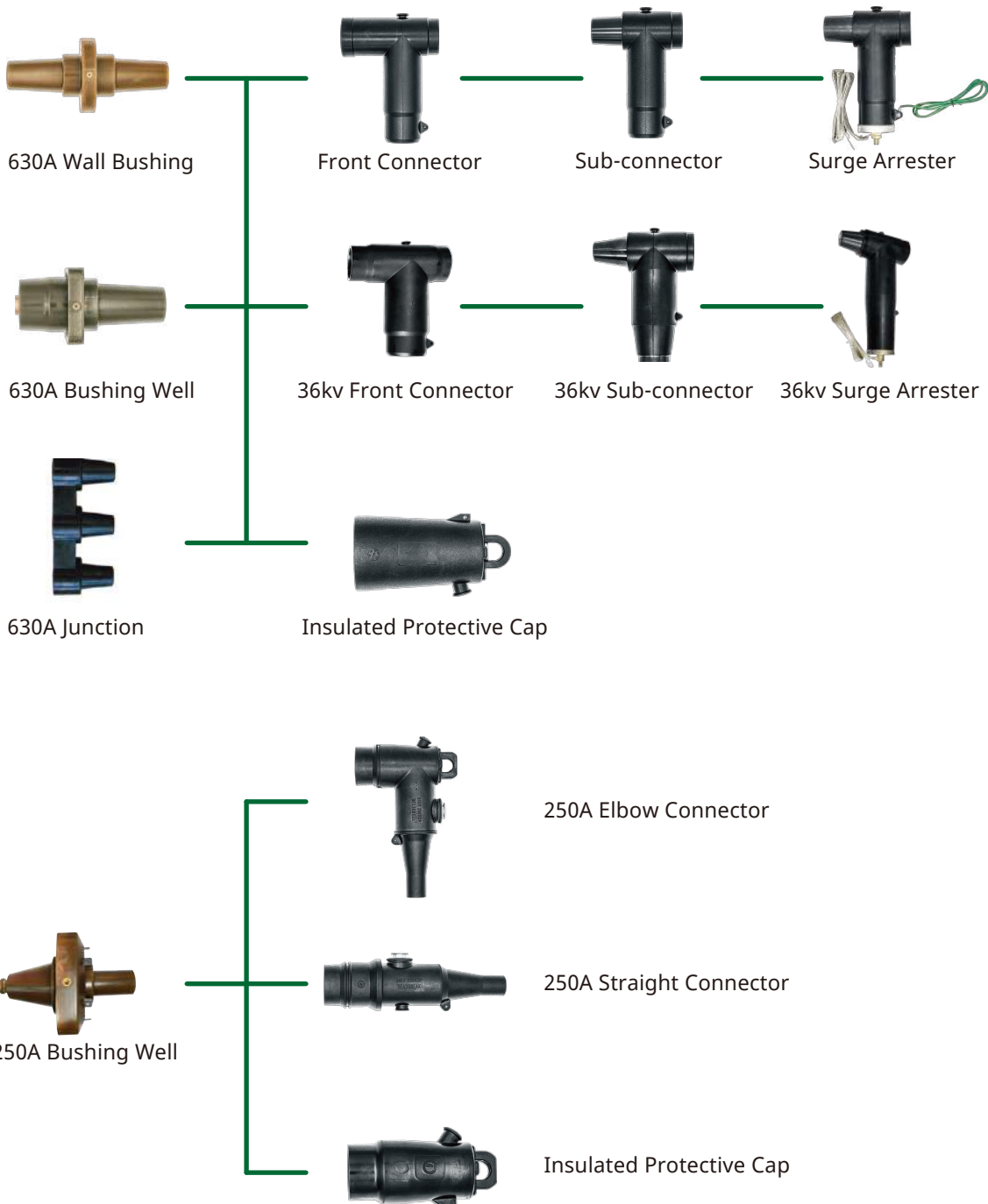


Cable Accessories

Product Manual 2024



Application of IEC European Style Cable Accessories



250A/630A IEC European Style Separable Connector

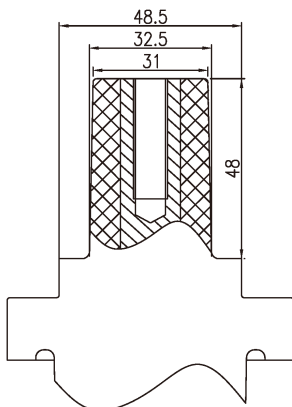
Specifications: 250A European Style Separable Connector

Rated Voltage	KV	8.7 / 15(17.5) KV	12 / 20(24) KV
Rated Current	A	250A	250A
Withstand Voltage	KV/MIN	39 KV/5 MIN	54 KV/5 MIN
Partial Discharge	≤PC(KV)	≤10 PC (15 KV)	≤10 PC (20 KV)
Lightning Impulse Withstand Voltage	KV	95 KV	125 KV
Thermal Short-Circuit Current	KA/S	3.5 KA/3S	3.5 KA/3S
Dynamic Short-Circuit Current	KA	10 KA	10 KA
Conductor Cross Section	mm ²	25-120 mm ²	25-120 mm ²

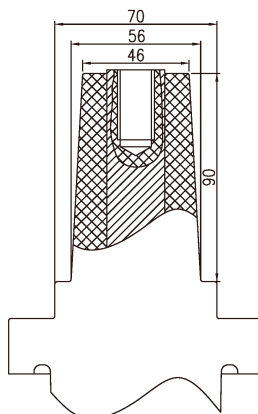
Specifications: 630A European Style Separable Connector

Rated Voltage	KV	8.7 / 15 (17.5) KV	12 / 20 (24) KV	18 / 30 (36) KV	26 / 35 (40.5) KV
Rated Current	A	630A	630A	630A	630A
Withstand Voltage	KV/MIN	39 KV/5 MIN	54 KV/5 MIN	81 KV/5 MIN	117 KV/5 MIN
Partial Discharge	≤PC(KV)	≤10 PC (15 KV)	≤10 PC (20 KV)	≤10 PC (30 KV)	≤10 PC (38 KV)
Lightning Impulse Withstand Voltage	KV	95 KV	125 KV	170 KV	200 KV
Thermal Short-Circuit Current	KA/S	22.8 KA/2S	24 KA/2S	23 KA/2S	23 KA/2S
Dynamic Short-Circuit Current	KA	80.8 KA	84 KA	83 KA	83 KA
Conductor Cross Section	mm ²	25-500 mm ²	25-500 mm ²	50-500 mm ²	50-500 mm ²

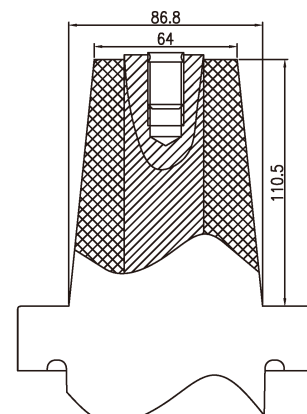
Section View: 630A/250A European Style Separable Connector Interface



Interface A



Interface C



Interface F

15KV 250A Screen Elbow Connector



CEE KZT 10/250 Elbow Connector



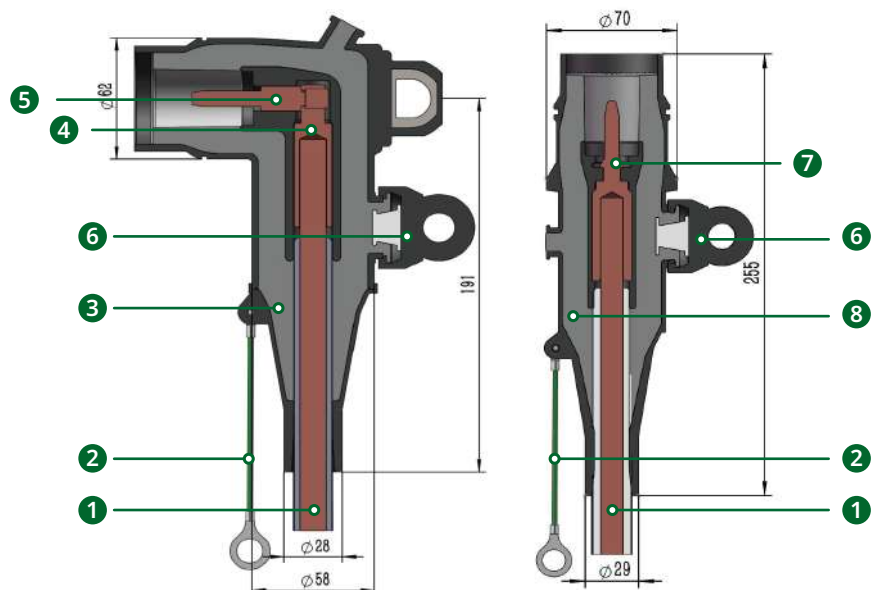
CEE BZZT 10/250 Straight Connector

Features

1. The compact cable connector is insulated, full shielded and touchable.
2. Its housing is molded by using high quality EPDM insulation, waterproof and moisture-proof.
3. Interface A, its connector standard conforms to EN50180/50181.
4. Apply to 8.7/15/17.5 KV XLPE cable, and cable cross section is 25-120 mm².
5. Suitable for the out line of ring main unit and transformer.

Product Structure

- 1 Cable
- 2 Ground Wire
- 3 Elbow Connector Body
- 4 Compression Lug
- 5 Linking Rod
- 6 Test Cap
- 7 Linking Rod
- 8 Straight Connector Body



15KV 630A Compact Screen Front/Rear Connector



CEE KQTX 10/630 Front Connector



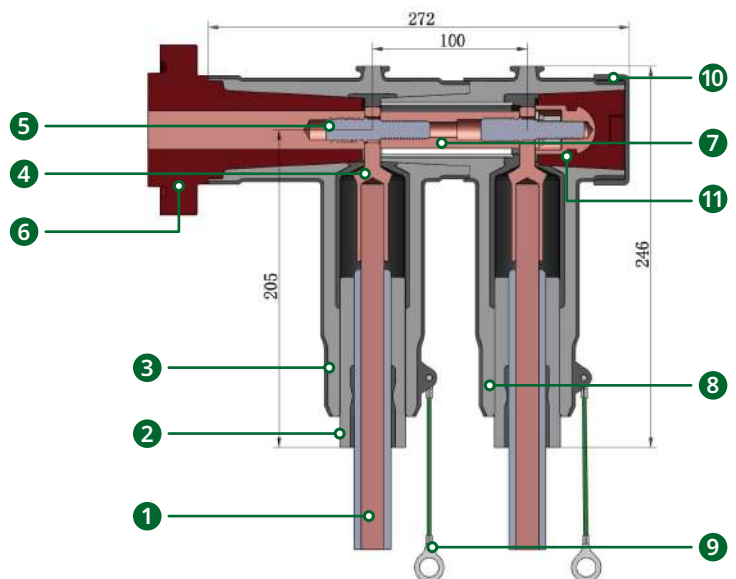
CEE KHTX 10/630 Rear Connector

Features

1. The compact cable connector is insulated, full shielded and touchable.
2. Its housing is molded by using high quality EPDM insulation, waterproof and moisture-proof.
3. Interface C, its connector standard conforms to EN50180/50181.
4. Apply to 8.7/15/17.5 KV XLPE cable, and cable cross section is 25-500mm².
5. Suitable for cable branch, ring main unit, etc.

Product Structure

- 1 Cable
- 2 Cable Adapter
- 3 Front Connector Body
- 4 Compression Lug
- 5 Bolt
- 6 Bushing (Type C)
- 7 Linking Rod
- 8 Rear Connector Body
- 9 Ground Wire
- 10 Screen Cover
- 11 Insulation Plug



24KV 630A Compact Screen Front/Rear Connector



CEE KQTX 24/630 Front Connector



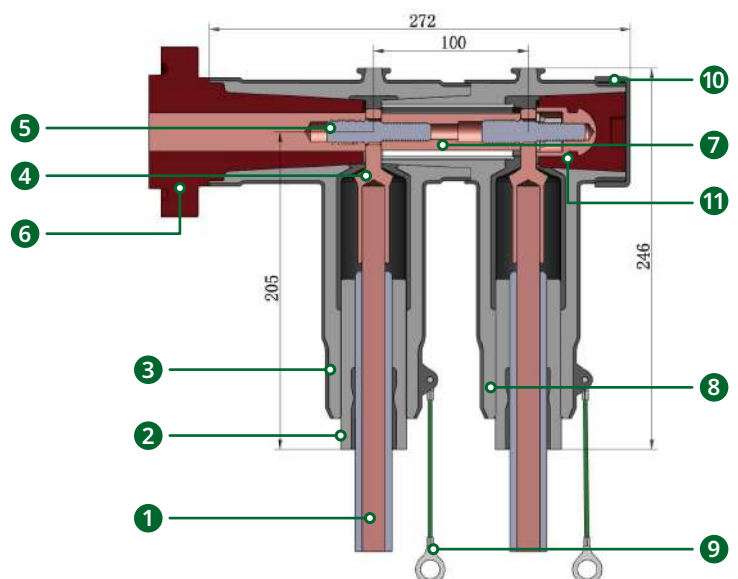
CEE KHTX 24/630 Rear Connector

Features

1. The compact cable connector is insulated, full shielded and touchable.
2. Its housing is molded by using high quality EPDM insulation, waterproof and moisture-proof.
3. Interface C, its connector standard conforms to EN50180/50181.
4. Apply to 12/20/24 KV XLPE cable, and cable cross section is 25-500mm².
5. Suitable for cable branch, ring main unit, etc.

Product Structure

- 1 Cable
- 2 Cable Adapter
- 3 Front Connector Body
- 4 Compression Lug
- 5 Bolt
- 6 Bushing (Type C)
- 7 Linking Rod
- 8 Rear Connector Body
- 9 Ground Wire
- 10 Screen Cover
- 11 Insulation Plug



15KV 630A Screen Front/Rear Connector



CEE KQT 15/630 Front Connector



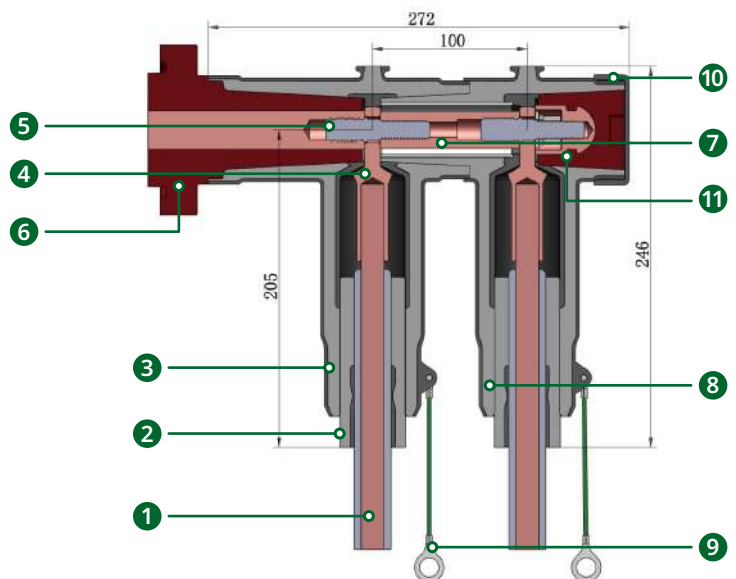
CEE KHT 15/630 Rear Connector

Features

1. The cable connector is insulated, full shielded and touchable.
2. Its housing is molded by using high quality EPDM insulation, waterproof and moisture-proof.
3. Interface C, its connector standard conforms to EN50180/50181.
4. Apply to 8.7/15/17.5 KV XLPE cable, and cable cross section is 25-500mm².
5. Suitable for cable branch, ring main unit, etc.

Product Structure

- 1 Cable
- 2 Cable Adapter
- 3 Front Connector Body
- 4 Compression Lug
- 5 Bolt
- 6 Bushing (Type C)
- 7 Linking Rod
- 8 Rear Connector Body
- 9 Ground Wire
- 10 Screen Cover
- 11 Insulation Plug



24KV 630A Screen Front/Rear Connector



CEE KQT 24/630 Front Connector



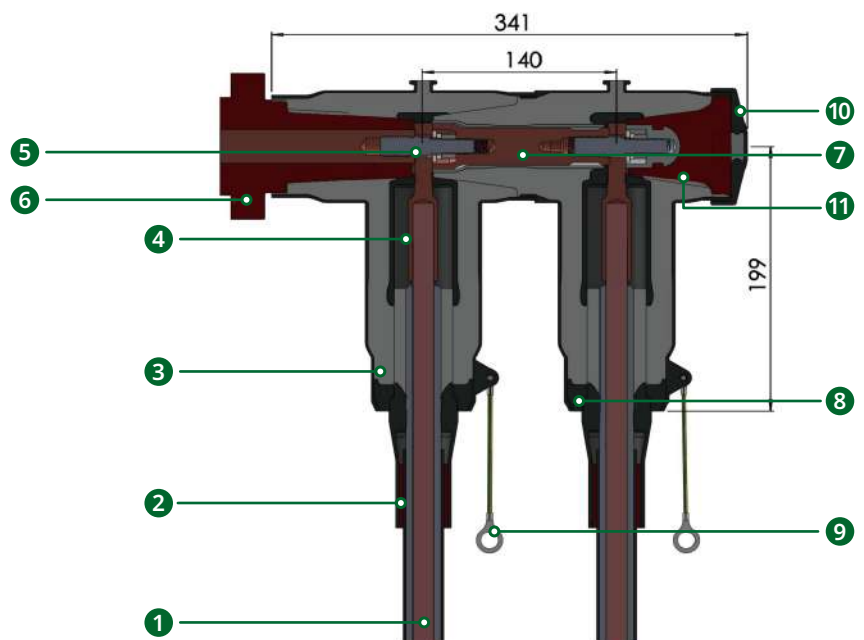
CEE KHT 24/630 Rear Connector

■ Features

1. The cable connector is insulated, full shielded and touchable.
2. Its housing is molded by using high quality EPDM insulation, waterproof and moisture-proof.
3. Interface C, its connector standard conforms to EN50180/50181.
4. Apply to 12/20/24 KV XLPE cable, and cable cross section is 25-500mm².
5. Suitable for cable branch, ring main unit, etc.

■ Product Structure

- 1 Cable
- 2 Cable Adapter
- 3 Front Connector Body
- 4 Compression Lug
- 5 Bolt
- 6 Bushing (Type C)
- 7 Linking Rod
- 8 Rear Connector Body
- 9 Ground Wire
- 10 Screen Cover
- 11 Insulation Plug



36KV 630A Screen Front/Rear Connector



CEE KQT 36/630 Front Connector



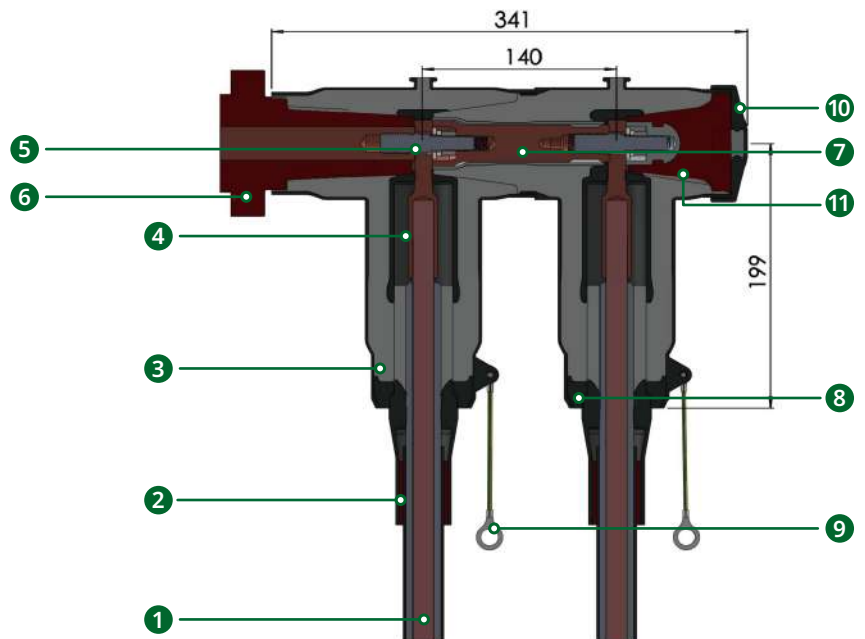
CEE KHT 36/630 Rear Connector

Features

1. The cable connector is insulated, full shielded and touchable.
2. Its housing is molded by using high quality EPDM insulation, waterproof and moisture-proof.
3. Interface C, its connector standard conforms to EN50180/50181.
4. Apply to 12/20/24/18/30/36 KV XLPE cable, and cable cross section is 25-500mm².
5. Suitable for cable branch, ring main unit, etc.

Product Structure

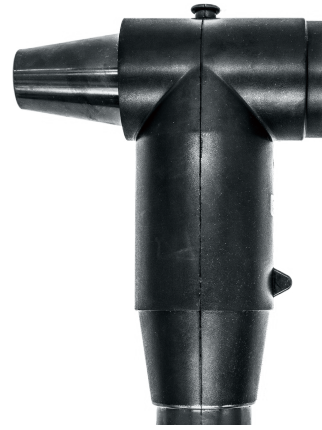
- 1 Cable
- 2 Cable Adapter
- 3 Front Connector Body
- 4 Compression Lug
- 5 Bolt
- 6 Bushing (Type C)
- 7 Linking Rod
- 8 Rear Connector Body
- 9 Ground Wire
- 10 Screen Cover
- 11 Insulation Plug



40.5KV 630A Screen Front/Rear Connector



CEE KQC 35/630 Front Connector



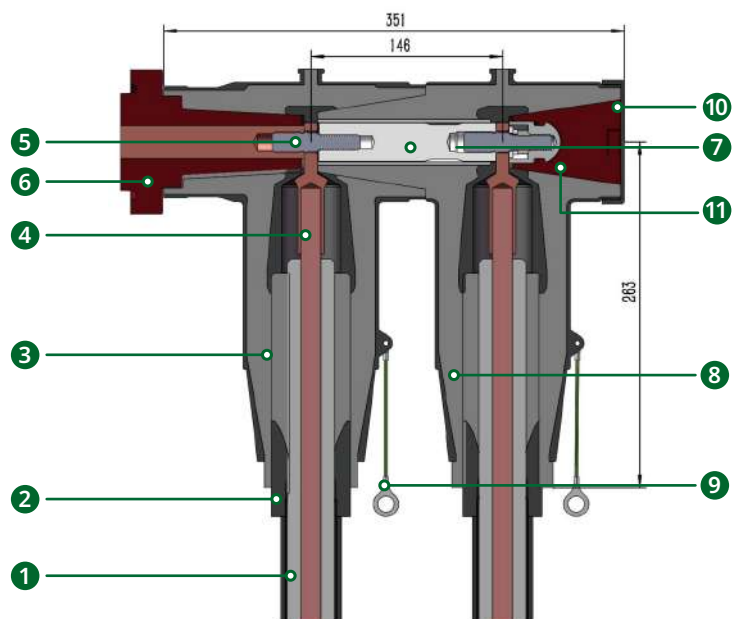
CEE KHC 35/630 Rear Connector

Features

1. The cable connector is insulated, full shielded and touchable.
2. Its housing is molded by using high quality EPDM insulation, waterproof and moisture-proof.
3. Interface C, its connector standard conforms to EN50180/50181.
4. Apply to 26/35/40.5 KV XLPE cable, and cable cross section is 25-500mm².
5. Suitable for cable branch, ring main unit, etc.

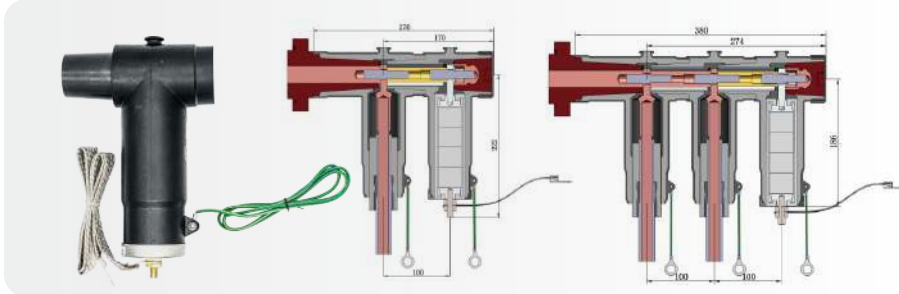
Product Structure

- 1 Cable
- 2 Cable Adapter
- 3 Front Connector Body
- 4 Compression Lug
- 5 Bolt
- 6 Bushing (Type C)
- 7 Linking Rod
- 8 Rear Connector Body
- 9 Ground Wire
- 10 Screen Cover
- 11 Insulation Plug

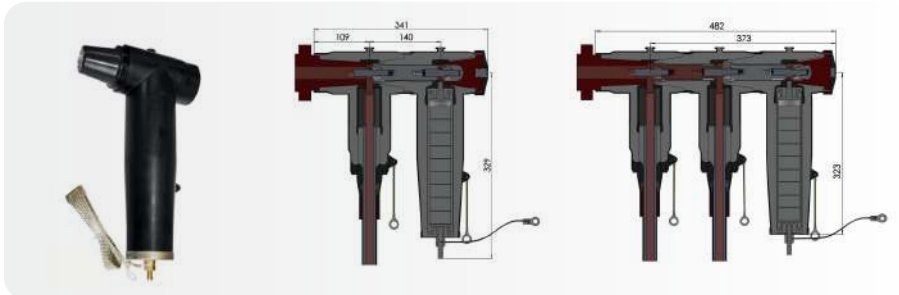


10KV Screen Rear Arrester

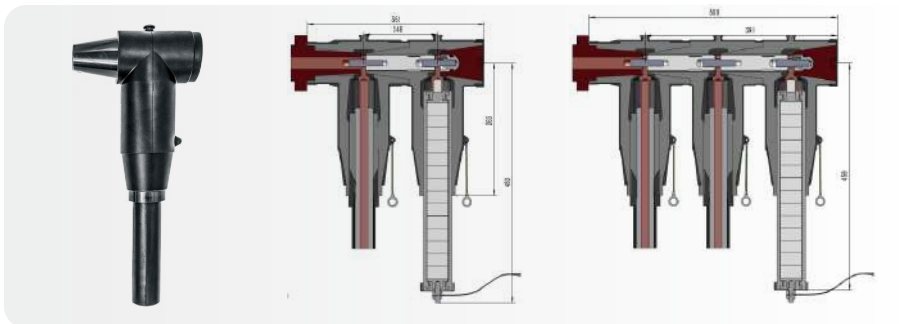
• CEE KBLQ 10/27 Rear Arrester



• CEE KBLQ 26/66 Rear Arrester



• CEE KBLQ 54/134 Rear Arrester



Features

1. The rear arrester is insulated, full shielded and touchable.
2. Its housing is molded by using high quality EPDM insulation, waterproof and moisture-proof.
3. Rear arrester protects electric apparatus from lighting and over-voltage.
4. Suitable for cable branch, ring main unit, etc.

Specifications

Description	Model	CEE KBLQ 10/27 CEE KBLQ 10/30	CEE KBLQ 17/45 CEE KBLQ 17/50	CEE KBLQ 24/66	CEE KBLQ 34/85	CEE KBLQ 54/134
Rated Voltage		17KV	17KV	26KV	34KV	51KV
Continuous Operation Voltage		13.6KV	13.6KV	20.8KV	27.2KV	40.8KV
Nominal Discharge Current		5KA	5KA	5KA	5KA	5KA
At D.C. 1mA Voltage U _{1mA}		≥24KV	≥24KV	≥37KV	≥48KV	≥73KV
Leaking Current at D.C.0.75 U _{1mA}		≤50μA	≤50μA	≤50μA	≤50μA	≤50μA
2ms Rectangular Current Withstand		150A	150A	150A	150A	400A
Max Residual Voltage (5kA Lighting Impulse)		45KVp	45KVp	66KVp	85KVp	134KVp



Stock Code: 300062

Company Address:

20 Jinzhou North Road, Jinshan Industrial Park, Cangshan District,
Fuzhou, Fujian Province

Official Website: www.ceepower.com/en/

Email: overseassales@ceepower.com

Whatsapp: +1 (626) 298-9924



Official Website

